

GKMJ30

Cold Potable Water Meters

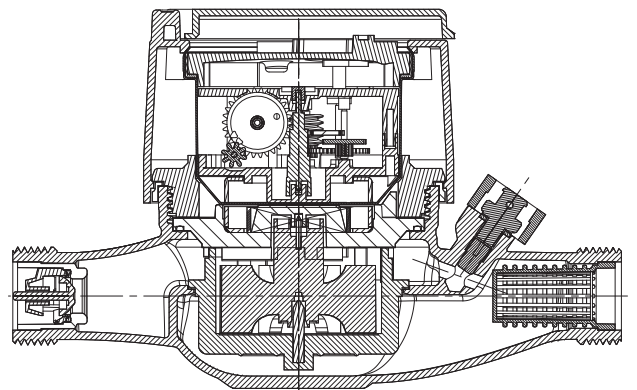
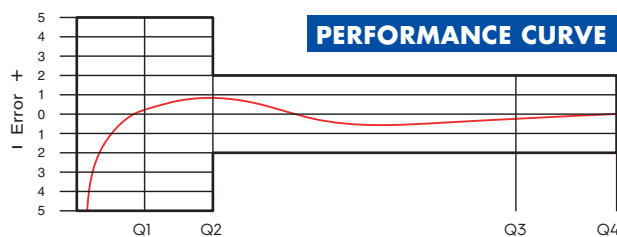
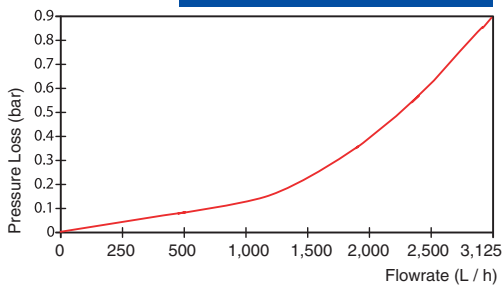


GENERAL

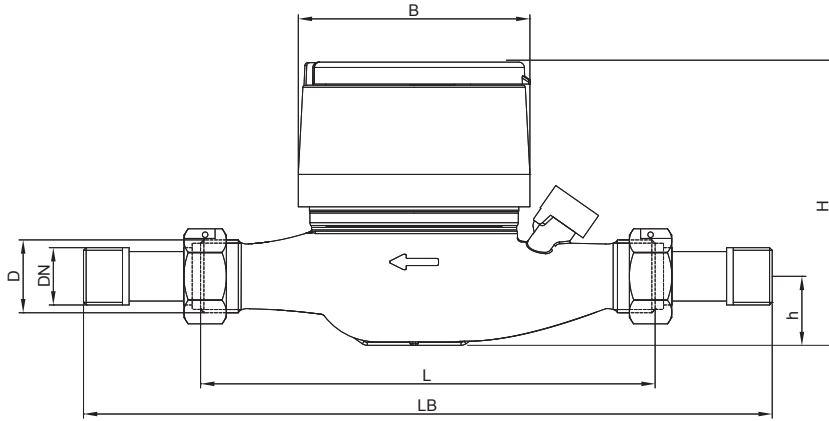
- Suitable for potable water
- Temperature class T50
- Multi-jet working principle assures a long service life
- Low pressure loss, high sensitivity at initial flow
- Electrostatic painted body made of corrosion-resistant brass
- Non-return valve
- Pulse output and AMR reading features are optional
- Almost no maintenance required during service

PERFORMANCE DATA		DN15	DN20	DN25	DN40	
Overload Flowrate	Q4	3.125	5.000	7.875	20.000	m ³ /h
Permanent Flowrate	Q3	2.5	4.0	6.3	16.0	m ³ /h
Transitional Flowrate	Q2	0.0250	0.0400	0.0630	0.1600	m ³ /h
Minimum Flowrate	Q1	0.0156	0.0250	0.0394	0.1000	m ³ /h
Q3/Q1 (R)		160	160	160	160	-
Mounting on the Network		Horizontal				-
Maximum Registration Capacity		9,9999	9,9999	9,9999	9,9999	m ³
Initial Flowrate	Qi	5	5	7	15	L/h
Maximum Working Pressure		16	16	16	16	bar
Maximum Working Temperature		50	50	50	50	°C
Pressure Loss		0.6	0.6	0.6	0.6	bar
Smallest Reading Resolution		0.00005	0.00005	0.00005	0.00005	m ³
Meter Accuracy Class		Class 2	Class 2	Class 2	Class 2	-

PRESSURE LOSS CURVE



DIMENSIONS		DN15	DN20	DN25	DN40	
Connecting Diameter	D	G 3/4	G 1	G 1 1/4	G 2	B
Total Overall Meter Height	H	103.5	113	125	148	mm
Axis Height	h	25	32.5	43.5	44.5	mm
Width	B	84	85	92.2	131	mm
Length	L	165	190	260	300	mm
Length with Connections	LB	250	292	388	421	mm
Unit Weight		0.71	1.09	1.91	4.27	kg
Quantity per Package		10	10	10	4	pcs



DN15



DN20



DN25



DN40



GEORGE KENT (MALAYSIA) BERHAD [1945-X]
 George Kent Technology Centre
 1115 Jalan Puchong, Taman Meranti Jaya
 47120 Puchong, Selangor Darul Ehsan

Tel : +603-8064 8000
 Fax : +603-8061 9926

We take pride in being **Your Trusted Engineering Partner.**
 Find out more about us at www.georgekent.net

While George Kent strives to make the content of its marketing materials as timely and accurate as possible, George Kent makes no claims, promises, or guarantees about the accuracy, completeness, or adequacy of, and expressly disclaims liability for errors and omissions in, such materials. No warranty of any kind, implied, express, or statutory, including but not limited to the warranties of non-infringement of third-party rights, title, merchantability, and fitness for a particular purpose, is given with respect to the content of these marketing materials. © 2019 George Kent. All rights reserved.